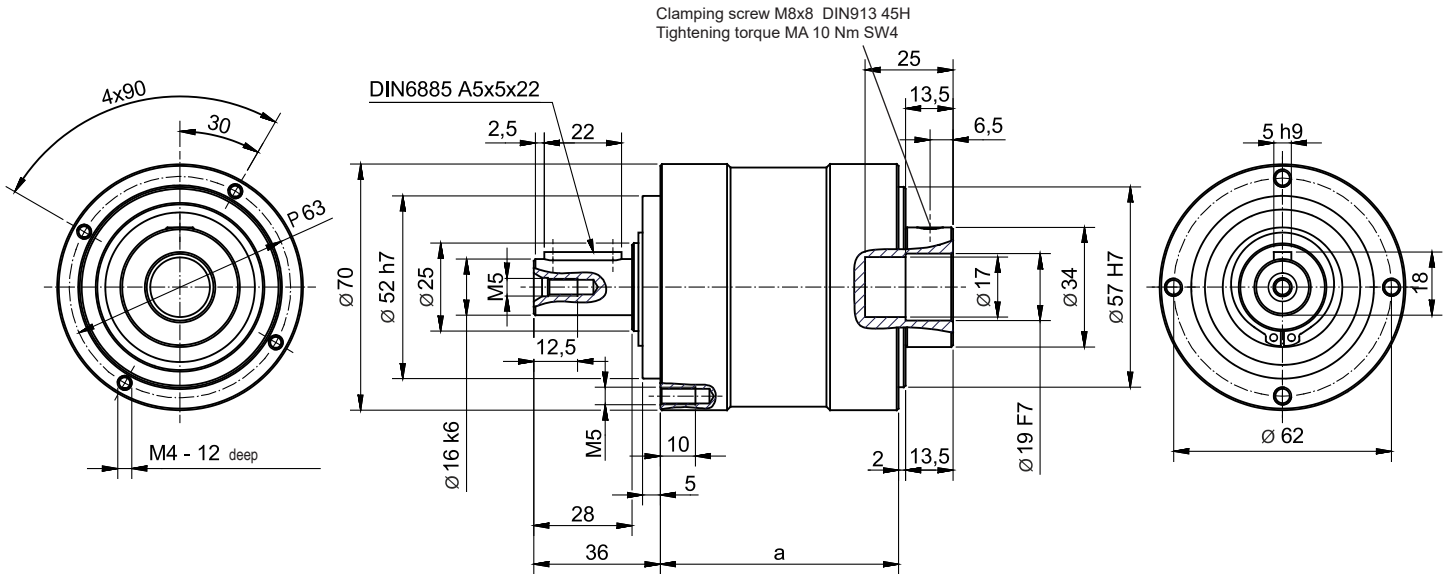


## RPL070 Planetary Gear



## RPL070 Planetary Gear

Dimensions with gear stages	a	Weight
1-stage	70 mm	1,8 kg
2-stage	91.5 mm	2,3 kg

### RPL070 Performance Data

i tot.	Stages	Nominal drive speed $n_1$ [rpm]	Max. drive speed $n_1$ max. [rpm]	Nominal torque $T_{2N}^{-1}$ [Nm]	Max. acceleration torque $T_{2B}^{-2}$ [Nm]	Emergency stop torque $T_{2EMG}^{-2}$ [Nm]	Circumferential backlash jt [arcmin]	Efficiency level $\eta$ [%]	Torsional stiffness $c_t$ [Nm/arcmin]	Mass moment of inertia $J_1^{-4}$ [kg cm <sup>2</sup> ]
3	1	3700	6000	23	46	69	$\leq 8$	$> 97$	3,30	0,029
5	1	3700	6000	24	48	72	$\leq 8$	$> 97$	3,30	0,029
7	1	3700	6000	23	46	69	$\leq 8$	$> 97$	3,30	0,029
10	1	3700	6000	23	46	69	$\leq 8$	$> 97$	2,80	0,029
15	2	3700	6000	24	48	72	$\leq 12$	$> 95$	3,30	0,026
25	2	3700	6000	24	48	72	$\leq 12$	$> 95$	3,30	0,026
30	2	3700	6000	23	46	69	$\leq 12$	$> 95$	3,30	0,026
35	2	3700	6000	24	48	72	$\leq 12$	$> 95$	3,30	0,026
50	2	3700	6000	24	48	72	$\leq 12$	$> 95$	3,30	0,026
70	2	3700	6000	23	46	69	$\leq 12$	$> 95$	3,30	0,026
100	2	3700	6000	23	46	69	$\leq 12$	$> 95$	2,80	0,026

\*1 Service life 20,000 h,  $n_2 = 100$  rpm

\*2 ( max. 1000 cycles an hour. T2B share  $< 5\%$  of the total running time)

\*3 ( max. 1000 cycles during the lifetime of the gears)

\*4 relative to the drive shaft

Fluid grease lubrication (lifetime-lubricated)

Any installation position

Sound pressure level at a distance of 1 m, measured at a drive speed of 3000 rpm  $< 70$  db(A)

Max. axial force relative to the centre of the output shaft: 1550 N,  $n_2 = 100$  rpm

Max. radial force relative to the centre of the output shaft: 1450 N,  $n_2 = 100$  rpm

Temperature range:  $-25$  °C to  $+90$  °C



RUHRGETRIEBE